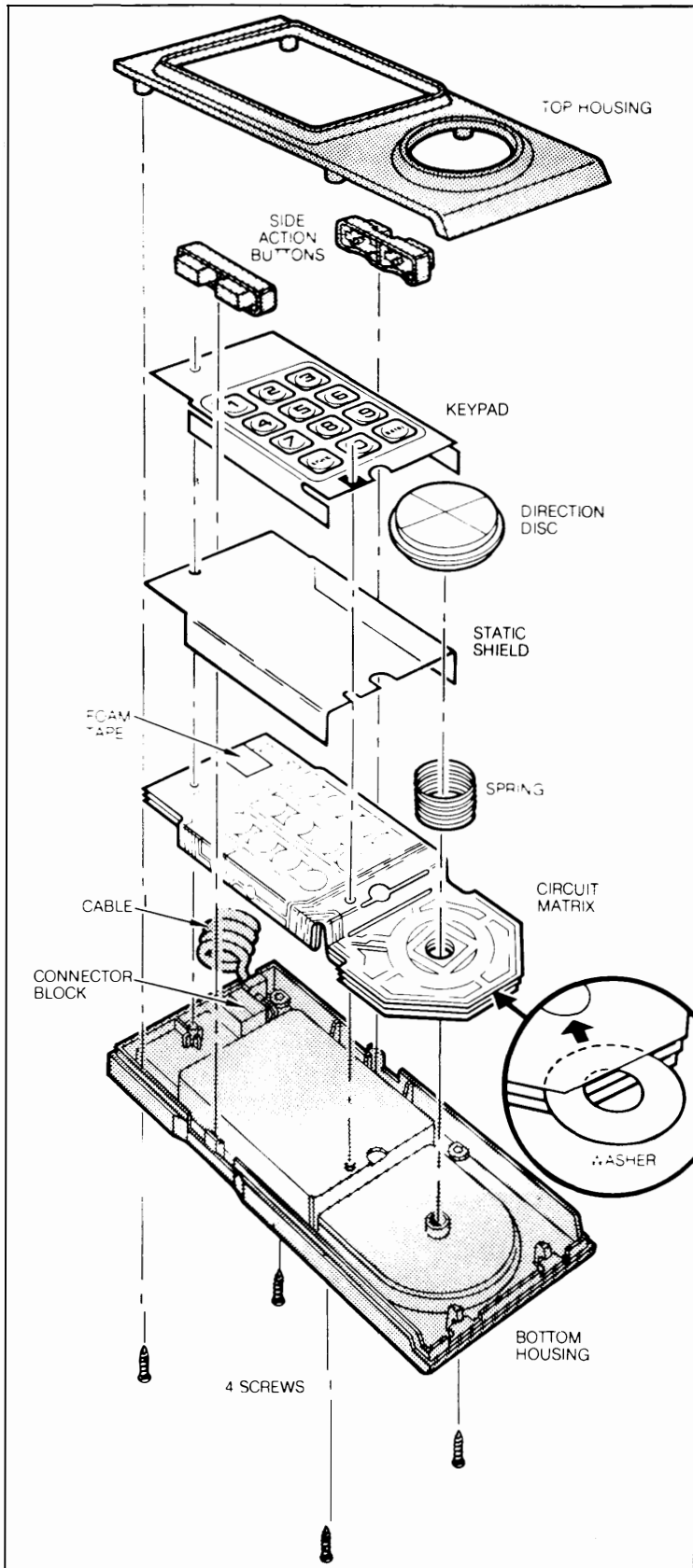


HAND-CONTROLLER SERVICE FLYER

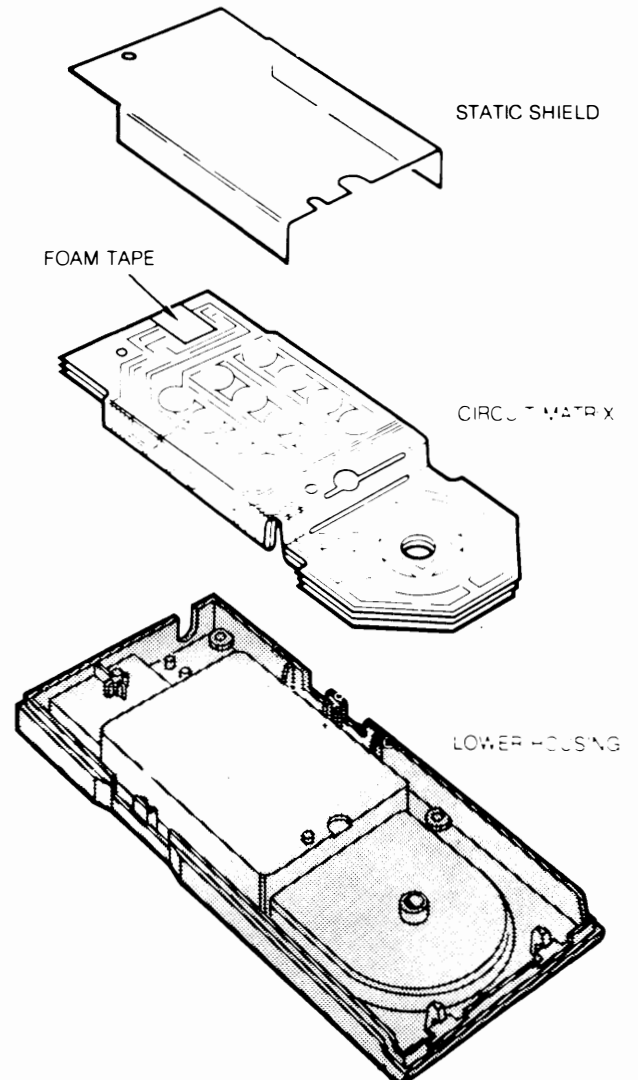


CIRCUIT MATRIX REPLACEMENT

Important: Make sure foreign material (dirt, dust, etc.), does not come in contact with the plastic parts. Do *one* Hand Controller and check yourself before doing the other.

Unplug Master Component from power source. Disconnect switch box cable.

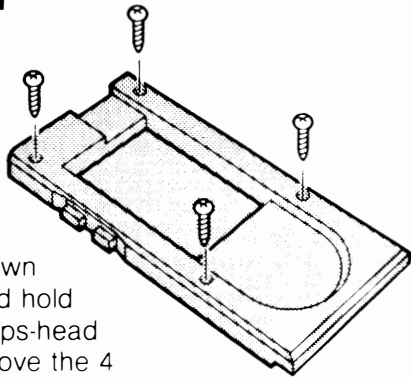
Enclosed are two Circuit Matrices, two Anti-Static Shields, and two Hand Controller Lower Housings. These are new parts you will need for Circuit Matrix Replacement.



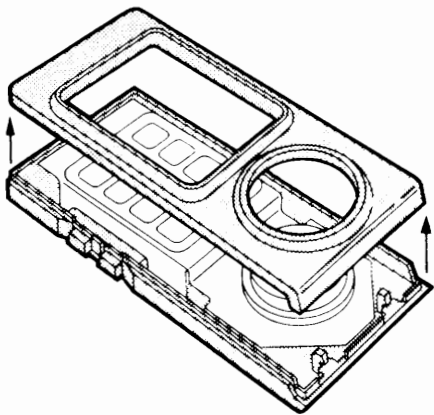
FOLLOW THESE SIMPLE STEPS TO REPLACE EACH HAND CONTROLLER CIRCUIT MATRIX.

DISASSEMBLY

1 Turn the Hand Controller upside down on a flat surface and hold it firmly. Use a Phillips-head screw driver to remove the 4 screws. Remove bottom screws first. Set all 4 screws aside in a safe place.



2 While holding the top and bottom together, turn the Hand Controller right side up. Set it back on a flat surface.



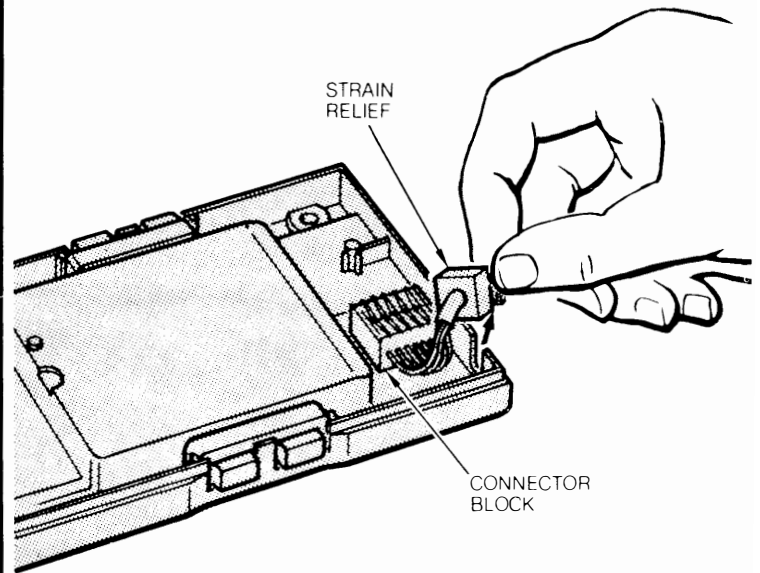
3 Carefully lift the top off and set it aside. Hold the gold number keypad and the gold direction disc in place with one hand.

4 Remove Gold Direction Disc and Spring.

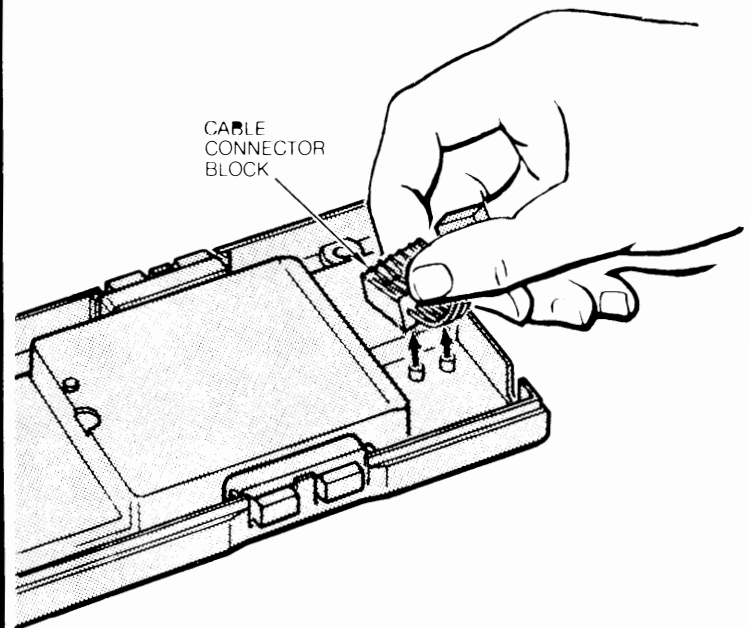
5 Remove the Action Buttons, both sides.

6 Remove and DISCARD the original Circuit Matrix. Keep the white plastic washer. You will be using it again.

DISCONNECT CABLE CONNECTOR BLOCK



1 Lift Cable Strain Relief UP and out of the housing.



2 Pry up Cable Connector Block from the housing.

Important: Be careful not to touch or bend the metal prongs.

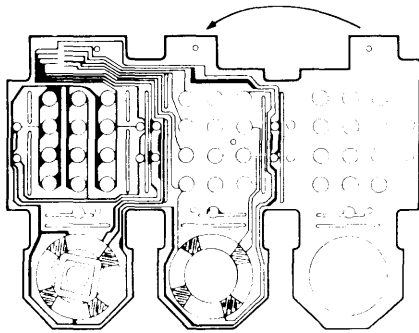
REPLACEMENT AND REASSEMBLY

1 Place Cable Connector Block and Strain Relief on the new Lower Housing as shown.

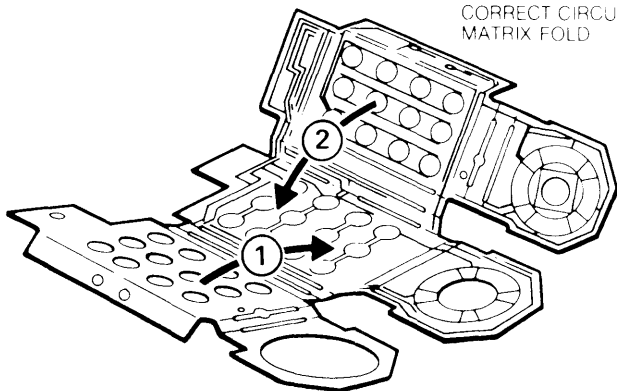
2 CHECK YOURSELF: Make sure connector block goes in all the way, right side up, flush with housing and make sure the Strain Relief is all the way in the housing. Check yourself with the detail program on the front cover.

3 INSTALL THE NEW CIRCUIT MATRIX

a) Check the new Circuit Matrix fold. If it is folded correctly, leave it as is. Excessive opening and refolding of the Circuit Matrix must be avoided because this will result in damage and malfunction.



CORRECT CIRCUIT MATRIX FOLD



b) Install new Circuit Matrix as shown on the front cover.

c) Make sure folded Circuit Matrix fits snugly over top and bottom posts.

4 Check the diagram on the front cover. Shield goes *over* the folded matrix. *Make sure* posts go through both sets of holes (Shield and Matrix). Hold matrix and static shield down in place with fingers.

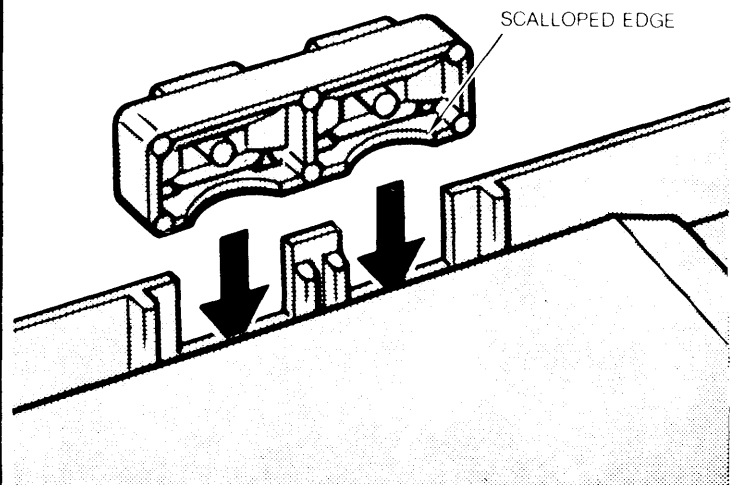
5 **INSTALL KEYPAD**
Place keypad over Anti-Static Shield. Again *make sure* both posts go through keypad holes.

6 **INSTALL WHITE PLASTIC WASHER**
Check yourself. Washer goes under the top layer of the Circuit Matrix and *over* the Direction Disc post as shown.

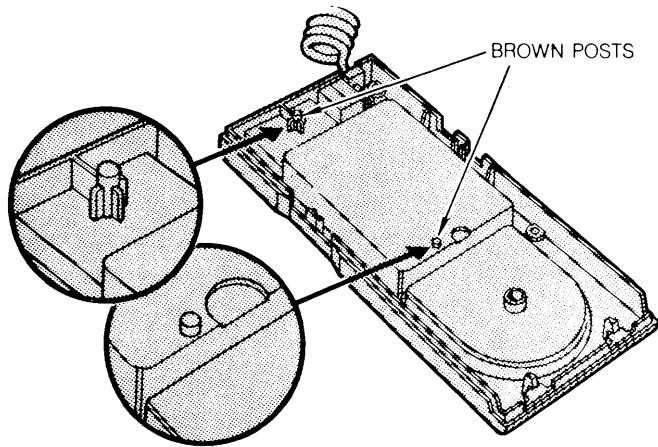
7 Install Spring and Direction Disc as shown on the front cover.

REPLACE SIDE ACTION BUTTONS

1 Press action button units firmly in place. The scalloped edge should be on the **BOTTOM**, **FACING INWARD**. Button units will only go in one way.



2 Before you replace the top make sure the Circuit Matrix and the Number Keypad are securely in place so that the top and bottom holes fit over the small brown posts.



3 Replace the top of the Hand Controller.

4 Hold the top and bottom securely together while you turn the Hand Controller over again. Replace the 4 screws, TOP SCREWS FIRST. Tighten until firmly in place. This is important to make all circuit connections. Do not over tighten.

NOTE: If the gold Direction Disc comes out of place during this procedure, simply set the spring back down over the center brown post and position the Direction Disc over the spring.

IF HAND CONTROLLERS DO NOT FUNCTION AFTER REPLACEMENT AND RE-ASSEMBLY:

Make *sure* all screws are fastened securely. If this does not correct the problem, take them apart again and *re-check*. See that the Circuit Matrices are properly folded and the Number Keypads are in place with *both* posts showing through the Keypad holes.

FOR FURTHER ASSISTANCE

Toll Free Number: 800-257-5185

New Jersey Residents

Dial Direct or Collect

609-655-3533
